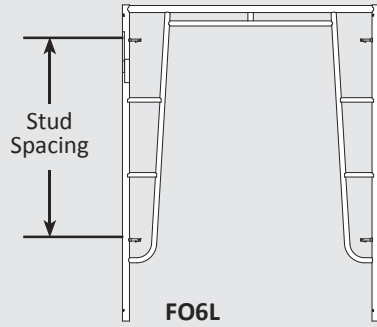


Sectional Frames

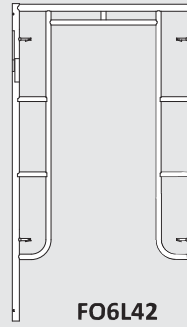
Walk Through Frames

Part No.	Description	Width	Frame Height	Stud Spacing	Weight
FO6L	Open End Frame	5'	6' 4"	4'	46 lbs.
FO6L42	Open End Frame	3' 6"	6' 4"	4'	43 lbs.
FO7SP	Sidewalk Canopy Frame	6'	7' 6"	4' / 2'	60 lbs.

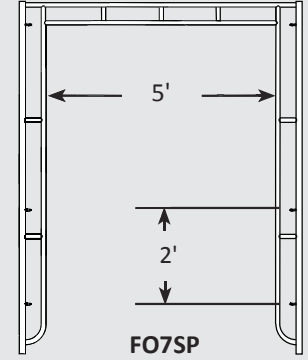
⚠ WARNING
 THE FM AND FO SERIES OF FRAMES ARE NOT TO BE USED FOR ACCESS TO SCAFFOLD PLATFORMS. IF SAFE ACCESS IS NOT AVAILABLE FROM THE BUILDING STRUCTURE, ADDITIONAL ACCESS COMPONENTS ARE REQUIRED.



FO6L



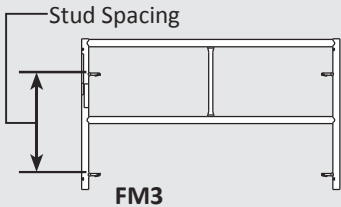
FO6L42



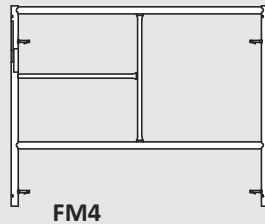
FO7SP

Mason Frames

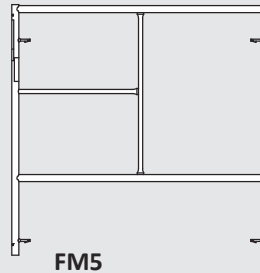
Part No.	Width	Frame Height	Stud Spacing	Weight
FM3	5'	3'	2'	27 lbs.
FM4	5'	4'	3'	34 lbs.
FM5	5'	5'	4'	37 lbs.
FM6	5'	6' 4"	4'	43 lbs.



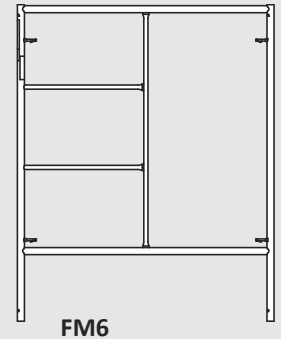
FM3



FM4



FM5

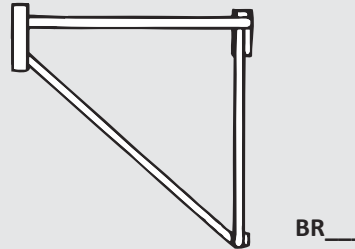


FM6

Side and End Brackets

Part No.	Description	Width	Weight
BR20L	Side Bracket	20"	8.5 lbs.
BR20E	End Bracket	20"	8 lbs.

⚠ WARNING
 SIDE AND END BRACKETS ARE DESIGNED TO SUPPORT PEOPLE ONLY. MATERIALS ARE NOT TO BE PLACED ON PLATFORMS SUPPORTED BY BRACKETS. BRACKETS ARE NOT TO BE USED ON ROLLING TOWERS. ALL BRACKETS INTRODUCE OVERTURNING AND/OR UPLIFT FORCES. THESE FORCES MUST BE EVALUATED AND COMPENSATED FOR WHEN BRACKETS ARE USED.



BR__