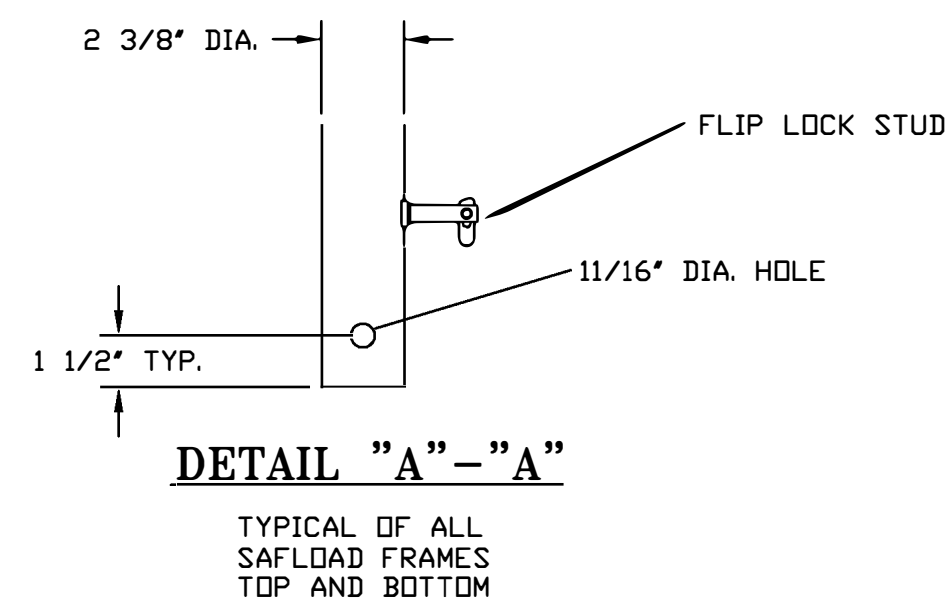
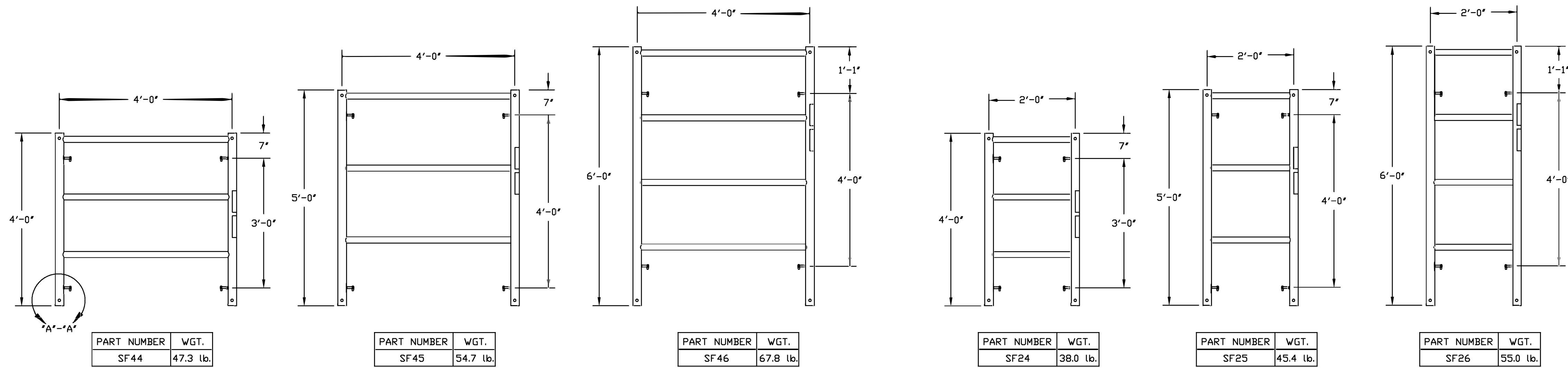
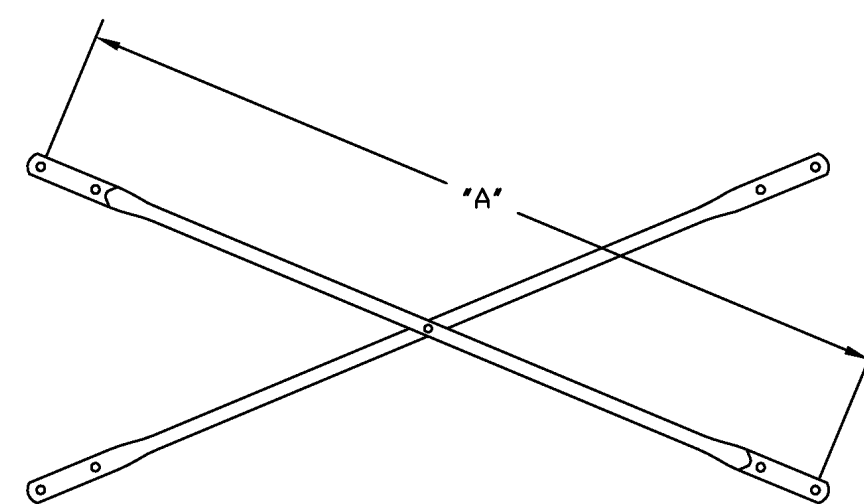


SHORING COMPONENT IDENTIFICATION

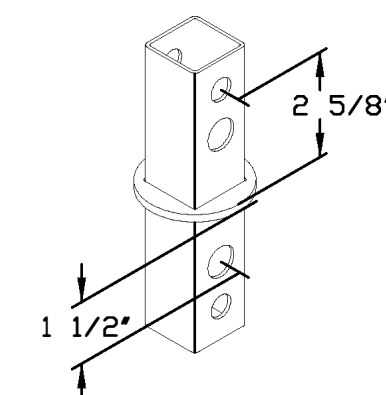


FRAMES



DOUBLE HOLE CROSS BRACES

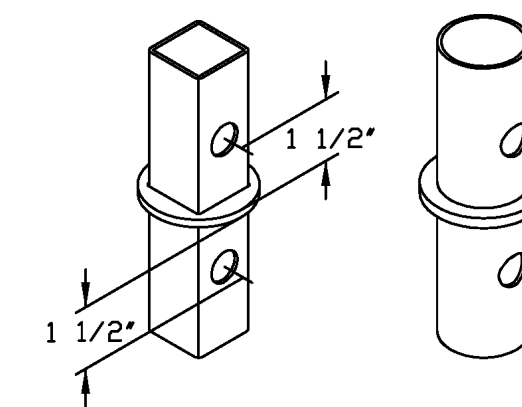
PART NUMBER	DIM "A"	WGT.
BDH3X4X4	67 7/8"	9.4 lb.
BDH3X4X5	76 27/32"	10.6 lb.
BDH3X4X6	86 17/32"	11.8 lb.
BDH3X4X7	96 3/4"	13.2 lb.
BDH3X4X8	107 11/32"	14.6 lb.
BDH3X4X10	129 1/4"	17.4 lb.



ADAPTER COUPLING PIN

TO ADJUST-A-SHORE

PART NUMBER	WGT.
HXCPSF	1.3 lb.



COUPLING PIN

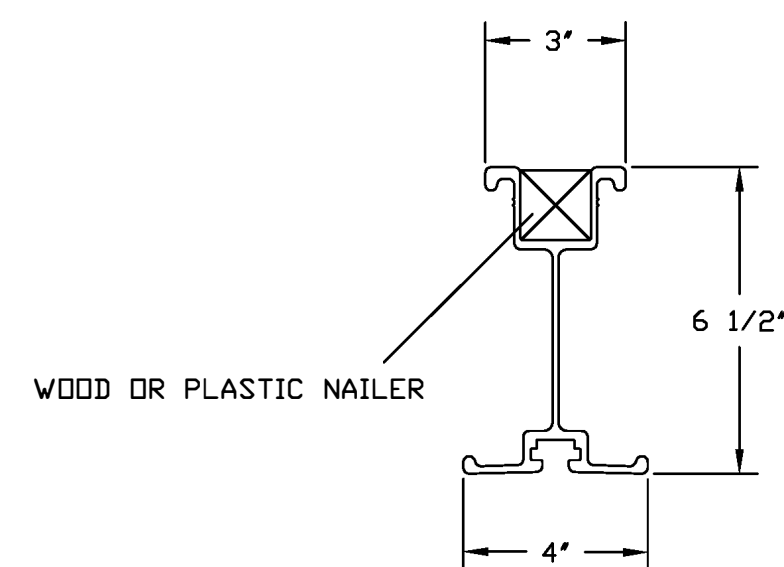
CAN BE ROUND OR SQUARE TUBE

PART NUMBER	WGT.
SFCP	1.3 lb.



HAIR PIN

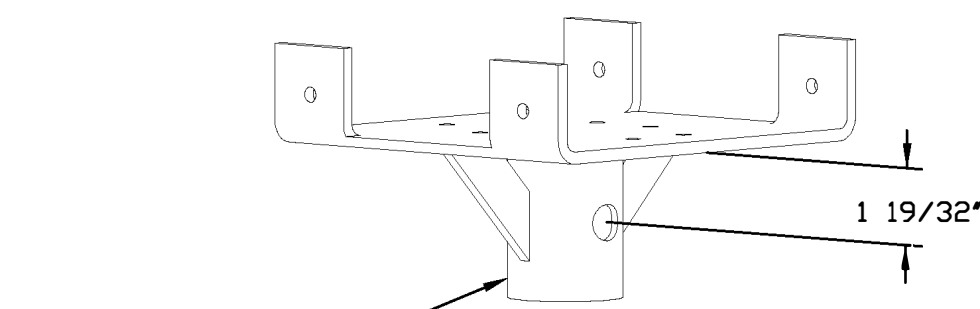
PART NUMBER	WGT.
SFHP	.1 lb.



STRINGER / JOIST

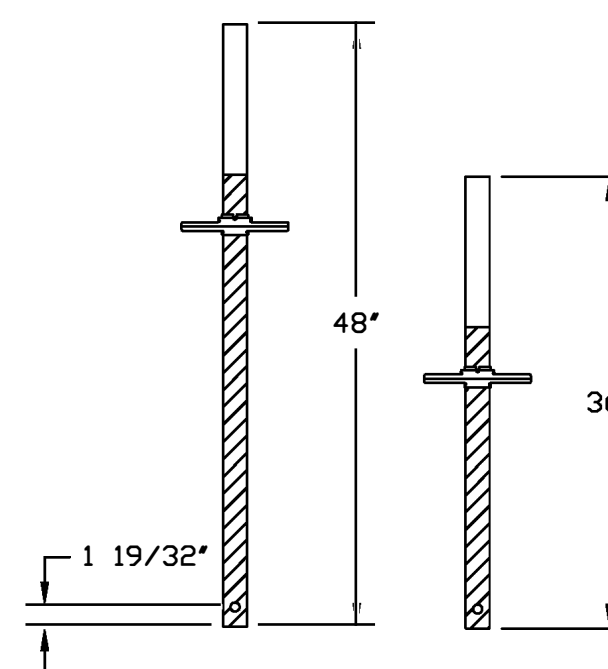
PART NUMBER	LENGTH IN FT.	WGT.
ALJ3	3'-0"	13.0 lb.
ALJ4	4'-0"	17.4 lb.
ALJ5	5'-0"	21.7 lb.
ALJ6	6'-0"	26.1 lb.
ALJ7	7'-0"	30.4 lb.
ALJ8	8'-0"	34.8 lb.
ALJ9	9'-0"	39.1 lb.
ALJ10	10'-0"	43.4 lb.
ALJ11	11'-0"	47.8 lb.

PART NUMBER	LENGTH IN FT.	WGT.
ALJ12	12'-0"	52.1 lb.
ALJ13	13'-0"	56.5 lb.
ALJ14	14'-0"	60.8 lb.
ALJ15	15'-0"	65.2 lb.
ALJ16	16'-0"	69.5 lb.
ALJ17	17'-0"	73.8 lb.
ALJ18	18'-0"	78.2 lb.
ALJ19	19'-0"	82.5 lb.
ALJ21	21'-0"	91.2 lb.



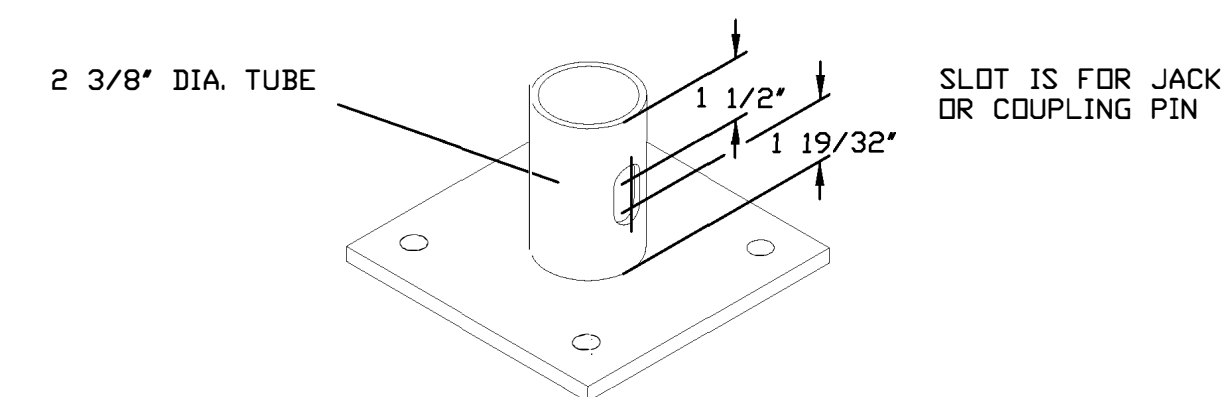
U-HEAD

PART NUMBER	WGT.
SFU88TW	7.0 lb.



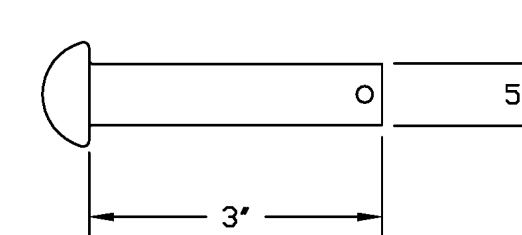
SCREW JACKS

PART NUMBER	WGT.
SFSJ36	12.8 lb.
SFSJ48	15.8 lb.



BASE PLATE

PART NUMBER	WGT.
SFSJBP	6.3 lb.



RIVET PIN

PART NUMBER	WGT.
SFRP	.3 lb.